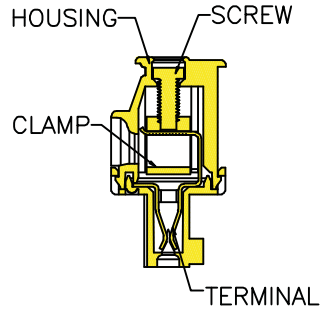
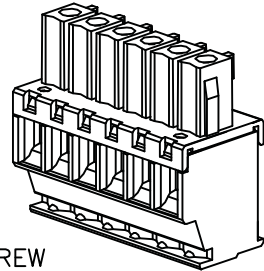
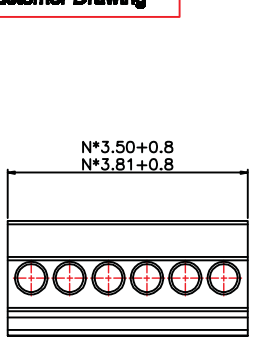
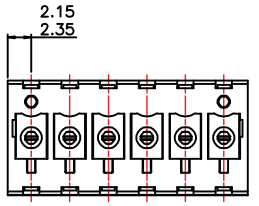
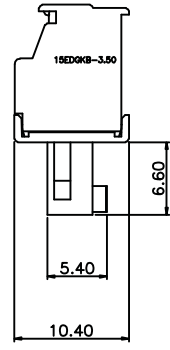
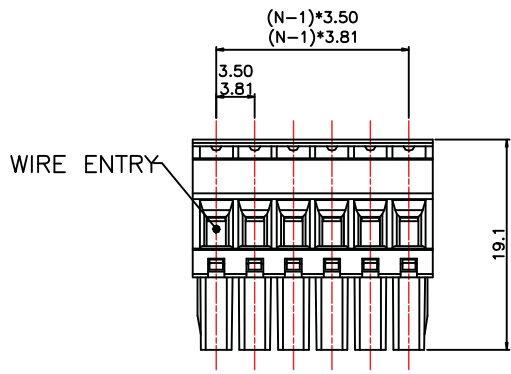


RoHS Compliant Customer Drawing

REV.	ECN NO.	DESCRIPTION	DATE	DESIGN

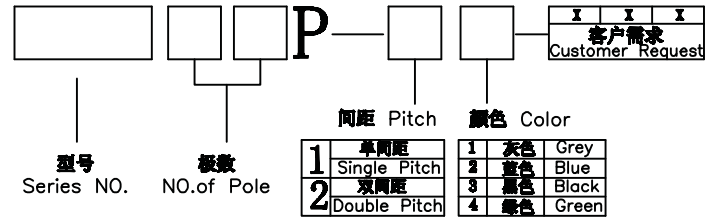


SPECIFICATION
MATERIAL
 Housing:PA66,UL94V-0
 Screw:M2 Steel ,Zinc Plated
 Terminal:Phosphor Bronze,Tin Plated
 Clamp:Brass,Ni Plated
ELECTRICAL
 Rated voltage:300V
 Rated current: 8A
 Wire Range(AWG/MM²):28-16AWG/0.5-1.5MM²
 Withstanding voltage: AC2000V/ 1Min
MECHANICAL
 Torque:0.2Nm(1.7Lb-In.)
 Strip Length:7mm
 Operating Temperature:-40°C~+105°C



N=No.of contacts

订购方式/HOW TO ORDER



Contact Us

TEL:+86 - 574-63510149 FAX:+86-574-63516735
 E-Mail:Sales@cxsuteng.com Website:www.cxsuteng.com

公差一览表				慈溪市速腾电子有限公司					
TOLERANCE UNLESS OTHERWISE				SUTOWN CIXI SUTENG ELECTRONIC CO., LTD					
X.	±0.25	X°	±5°	单位	mm	制图	No.01	产品名称	ST15EDGKB-3.50/3.81
.X	±0.20	.X°	±2°	角法	角法	设计	No.06	图号	
.XX	±0.15	.XX°	±1°	比例	1:1	审核		产品料号	ST15EDGKB-3.50/3.81
.XXX	±0.02	.XXX°	±0.5°	日期	2012.07.10	版本	A0	图号	ST15EDGKB-3.50/3.81
				DATE		APPD		DRAW NO.	