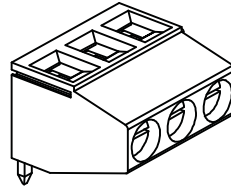


RoHS Compliant Customer Drawing

REV.	ECN NO.	DESCRIPTION	DATE	DESIGN



SPECIFICATION

MATERIAL

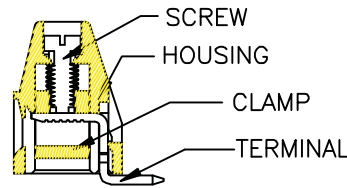
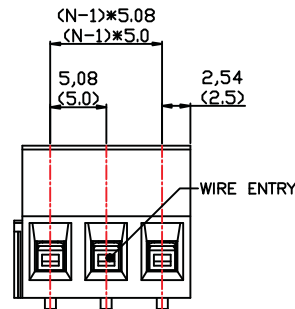
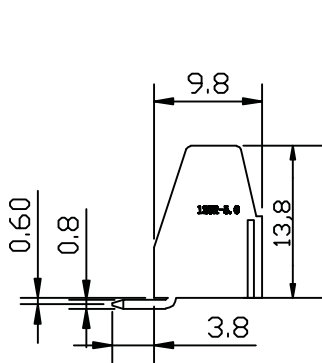
Housing:PA66,UL94V-0
Screw:M2.5 Steel ,Zinc Plated
Terminal:Brass,Tin Plated
Clamp:Brass,Ni Plated

ELECTRICAL

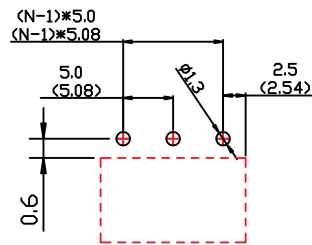
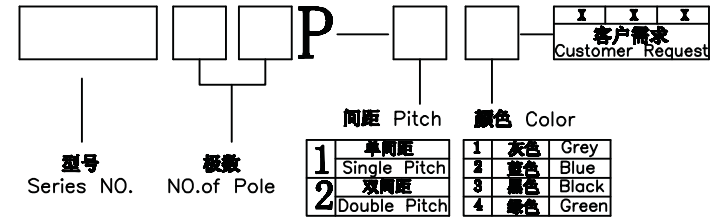
Rated voltage:300V
Rated current: 15A
Wire Range(AWG/MM²):26-14AWG/0.14-2.5MM²
Withstanding voltage: AC2500V/ 1Min

MECHANICAL

Torque:0.4Nm(3.5Lb-In.)
Strip Length:7mm
Operating Temperature:-40°C~+105°C



订购方式/HOW TO ORDER



PCB LAYOUT(RECOMMENDED)

N=No. of contacts

Contact Us

TEL:+86-574-63510149

FAX:+86-574-63516735

E-Mail:Sales@cxsuteng.com

Website:www.cxsuteng.com

公差一览表				慈溪市速腾电子有限公司					
TOLERANCE UNLESS OTHERWISE				SUTOWN CIXI SUTENG ELECTRONIC CO., LTD					
X.	±0.25	X°	±5°	单位	mm	制图	No.01	产品名称	ST128R-5.0/5.08
.X	±0.20	.X°	±2°	角法	第一角	设计	No.06	图号	
.XX	±0.15	.XX°	±1°	比例	1:1	审核			产品料号
.XXX	±0.02	.XXX°	±0.5°	版本	A0	核准		图号	ST128R-5.0/5.08
日期	2012.07.10			版本	A0	核准		图号	ST128R-5.0/5.08
DATE	2012.07.10			VER	A0	APPD		DRAW NO.	ST128R-5.0/5.08